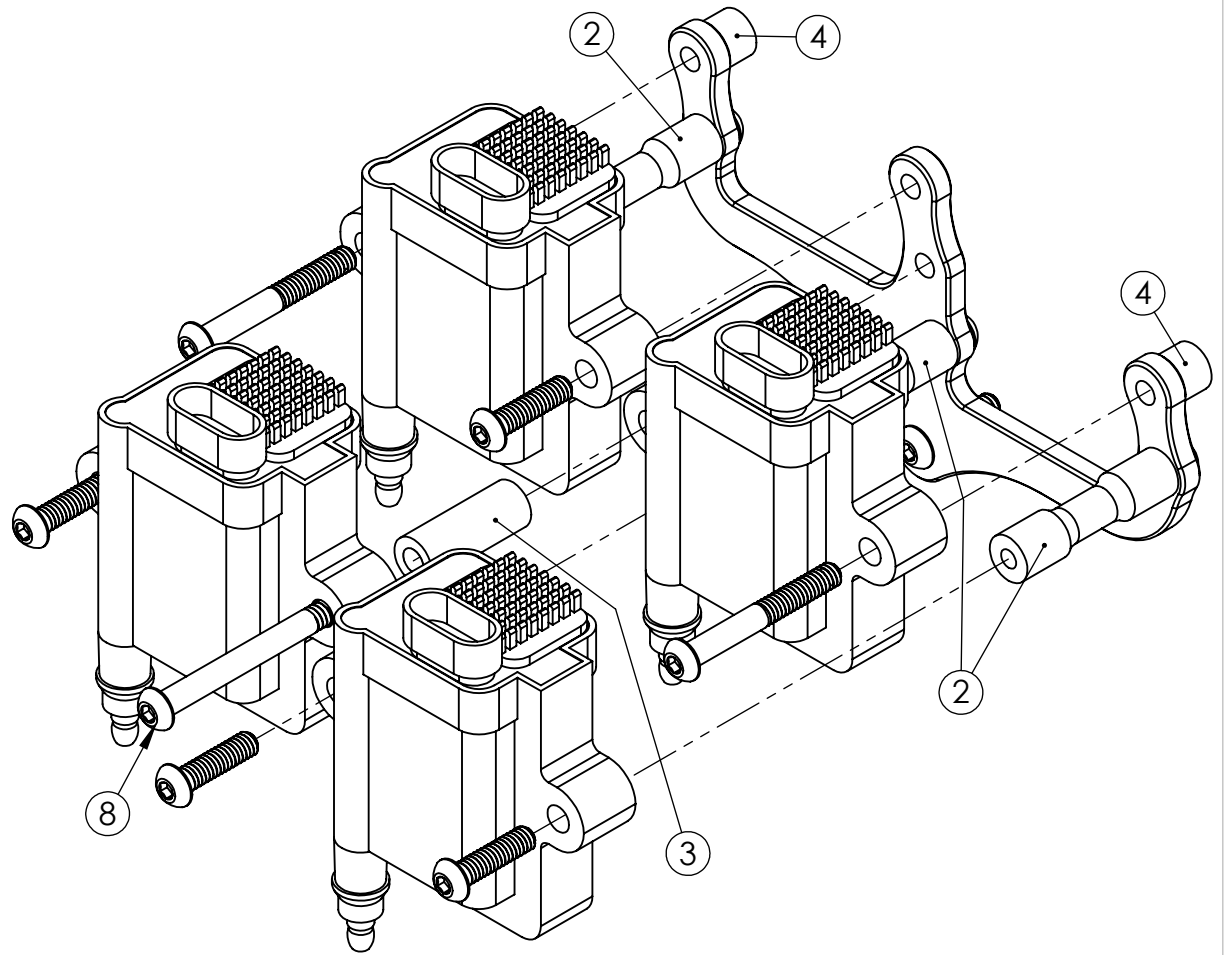
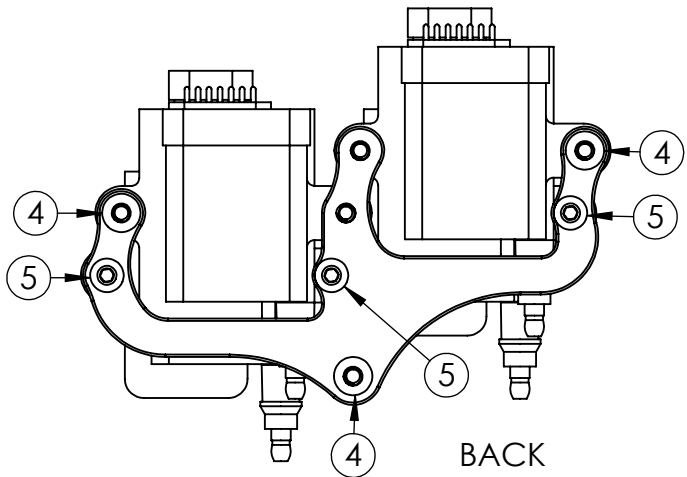
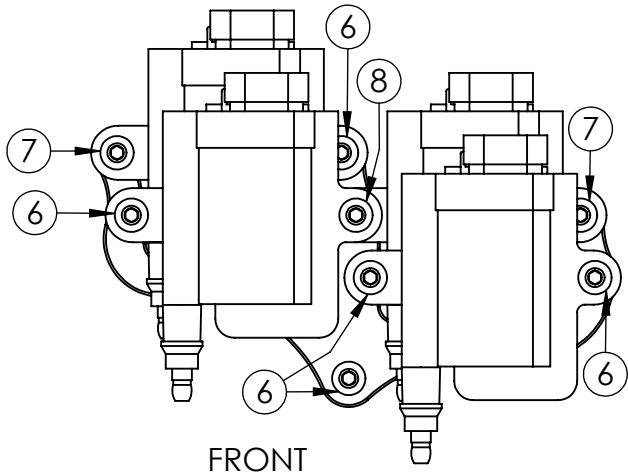


ITEM #	PART NUMBER	QTY
1	179-IGN1A-101 (BRACKET)	1
2	179-IGN1A-111 (SPACER 1)	3
3	179-IGN1A-112 (SPACER 2)	1
4	179-IGN1A-113 (SPACER 3)	3
5	1/4-20 x 5/8"	3
6	1/4-20 x 1"	5
7	1/4-20 x 2"	2
8	1/4-20 x 3"	1



ALL PRODUCTS WE SELL AND THE ADVICE WE GIVE ARE FOR OFF ROAD USE. AT NO TIME WILL WE ADVISE, CONSULT, SELL, OR PROMOTE THE USE OF OUR PRODUCTS ON PUBLIC ROADWAYS. IMPROPER INSTALLATION OF PRODUCTS OR ERRORS IN TUNING CAN BREAK REALLY EXPENSIVE PARTS. IF YOU ARE UNSURE ABOUT ANY DETAILS, STOP AND CONSULT PROFESSIONAL HELP. CONTACT US WITH ANY QUESTIONS OR ISSUES

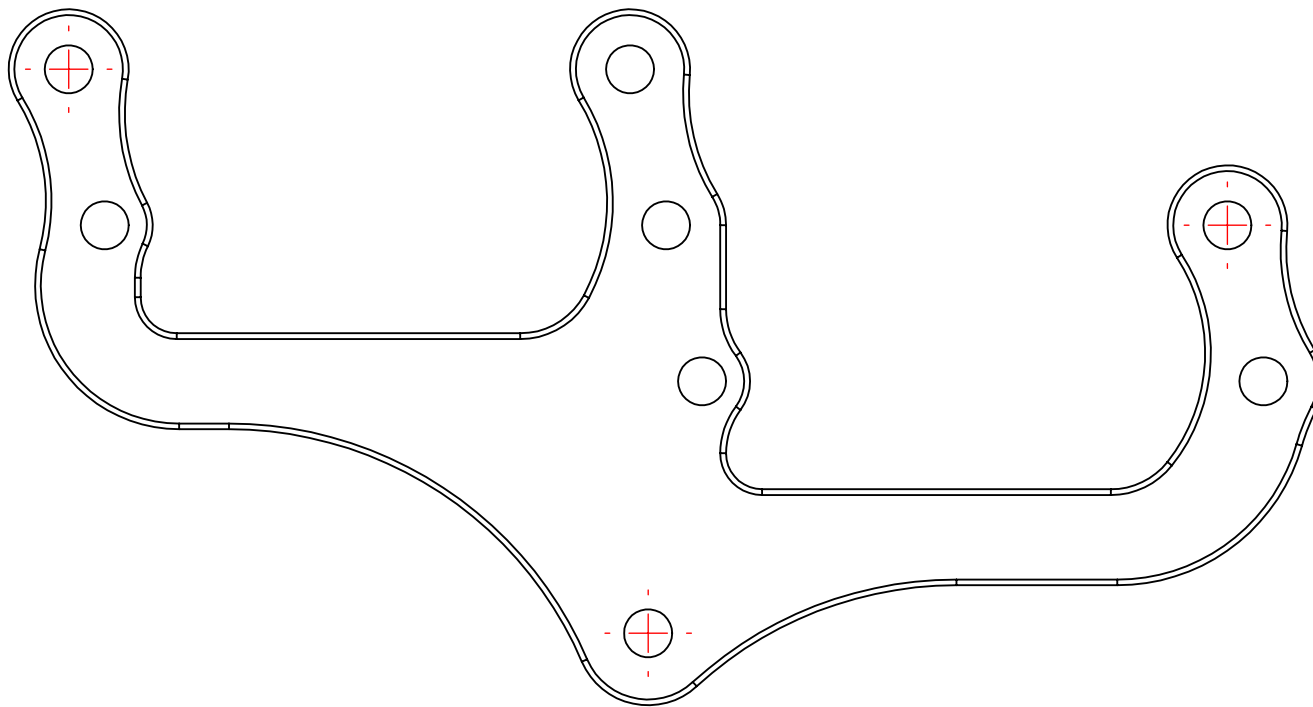


B2T ENGINEERING
BURNOUT2TURNOUT.COM

SIZE A	IGN1A BILLET COIL MOUNT ASSEMBLY INSTRUCTIONS	REV -
SCALE: 1:2	10/25/16	SHEET 1 OF 1

INSTRUCTIONS IGN1A BILLET COIL MOUNT TEMPLATE

1. PRINT THIS TEMPLATE ON 8.5x11 PAPER. PRINTER MUST BE SET TO "SCALE=100%" OR "NO SCALE".
DO NOT USE "SCALE TO FIT"
2. **IMPORTANT: VERIFY THE TEMPLATE HAS PRINTED TO THE EXACT SIZE OF THE MOUNT**
BY OVERLAYING THE MOUNT ONTO THE PAPER TEMPLATE
3. LOCATE THE TEMPLATE IN THE LOCATION TO BE MOUNTED. MARK THE 3 MOUNTING HOLES SHOWN IN RED, AND DRILL HOLES FOR THE PROVIDED 1/4"-20 MOUNTING FASTENERS



ALL PRODUCTS WE SELL AND THE ADVICE WE GIVE ARE FOR OFF ROAD USE. AT NO TIME WILL WE ADVISE, CONSULT, SELL, OR PROMOTE THE USE OF OUR PRODUCTS ON PUBLIC ROADWAYS. IMPROPER INSTALLATION OF PRODUCTS OR ERRORS IN TUNING CAN BREAK REALLY EXPENSIVE PARTS. IF YOU ARE UNSURE ABOUT ANY DETAILS, STOP AND CONSULT PROFESSIONAL HELP. CONTACT US WITH ANY QUESTIONS OR ISSUES



B2T ENGINEERING
BURNOUT2TURNOUT.COM

SIZE
A

IGNITION COIL BRACKET
TEMPLATE

REV
-

SCALE: 1:1

10/25/16

SHEET 1 OF 1