

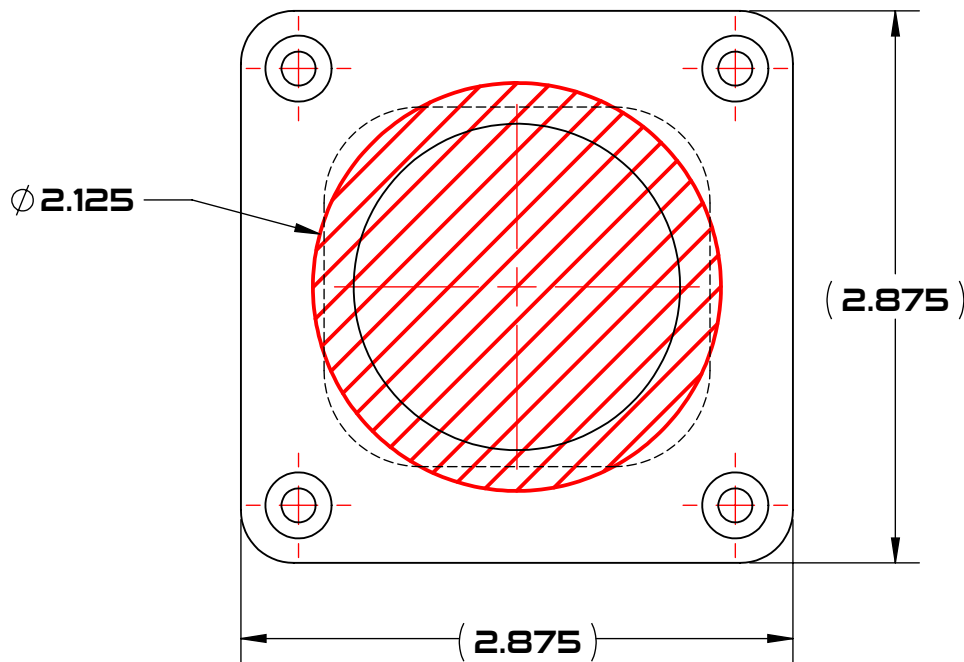
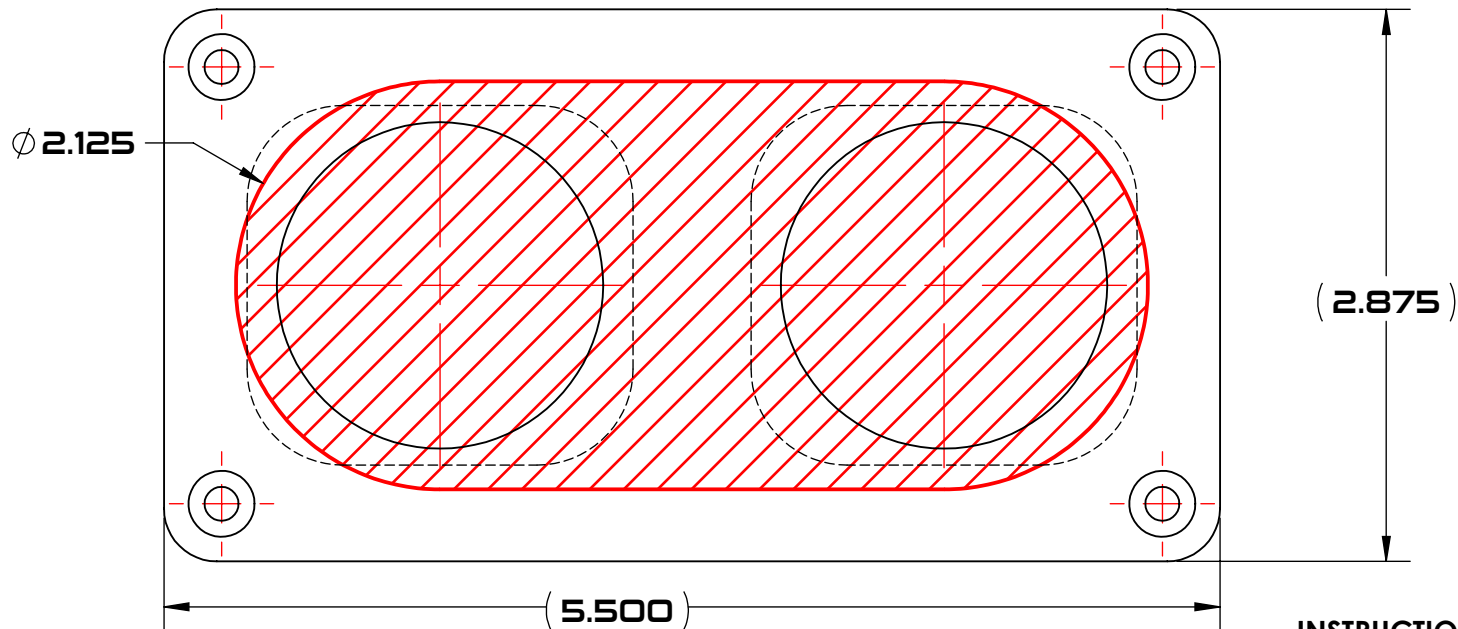
INSTRUCTIONS: SIZE 18 (SMALL) TEMPLATE

- 1.) PRINT THIS TEMPLATE ON 8.5x11 PAPER. PRINTER MUST BE SET TO "SCALE=100%" OR "NO SCALE". **DO NOT USE "SCALE TO FIT"**
- 2.) **IMPORTANT:** VERIFY THE TEMPLATE HAS PRINTED TO THE EXACT SIZE OF THE PLATE THAT YOU HAVE BY CHECKING THE REFERENCE DIMENSIONS AND OVERLAYING THE BULKHEAD ONTO THE PAPER TEMPLATE
- 3.) LOCATE THE TEMPLATE ON THE FIREWALL. MARK THE 4 MOUNTING HOLES, AND DRILL HOLES FOR THE PROVIDED MOUNTING SCREWS
- 4.) NEXT, THE RED OUTLINED AREA MUST BE REMOVED FOR THE CONNECTORS TO PASS THROUGH THE FIREWALL. THIS CAN BE DONE WITH A HOLE SAW CENTERED AT THE RED CENTERMARKS (+), AND A SAW



B2T ENGINEERING
BURNOUT2TURNOUT.COM

SIZE A	BULKHEAD TEMPLATE SHELL SIZE 18	REV -
SCALE: 1:1	7/28/16	SHEET 1 OF 2



INSTRUCTIONS SIZE 24 (LARGE) TEMPLATE

- 1.) PRINT THIS TEMPLATE ON 8.5x11 PAPER. PRINTER MUST BE SET TO "SCALE=100%" OR "NO SCALE". **DO NOT USE "SCALE TO FIT"**
- 2.) **IMPORTANT: VERIFY THE TEMPLATE HAS PRINTED TO THE EXACT SIZE OF THE PLATE THAT YOU HAVE** BY CHECKING THE REFERENCE DIMENSIONS AND OVERLAYING THE BULKHEAD ONTO THE PAPER TEMPLATE
- 3.) LOCATE THE TEMPLATE ON THE FIREWALL. MARK THE 4 MOUNTING HOLES, AND DRILL HOLES FOR THE PROVIDED MOUNTING SCREWS
- 4.) NEXT, THE RED OUTLINED AREA MUST BE REMOVED FOR THE CONNECTORS TO PASS THROUGH THE FIREWALL. THIS CAN BE DONE WITH A HOLE SAW CENTERED AT THE RED CENTERMARKS (+), AND A SAW



B2T ENGINEERING
BURNOUT2TURNOUT.COM

SIZE A	BULKHEAD TEMPLATE SHELL SIZE 24	REV -
SCALE: 1:1	7/28/16	SHEET 2 OF 2